

ConverterPAC Description

ConverterPACs are the family of slide-in output assemblies used in [MegaPAC power supplies](#). There are currently 12 ConverterPACs available for use. Most ConverterPACs of the same length are interchangeable within a MegaPAC and between different AC input MegaPAC chassis. They can be added, moved, or changed as necessary. The type of ConverterPAC used in this slot is a RamPAC.

RamPAC (R = Non RoHS; GR = RoHS)

The RamPAC output assembly consists of a **VI-J00 DC to DC converter with a Ripple Attenuator Module (RAM)** and is designed for applications requiring low output ripple/noise. The RAMPAC can attenuate the ripple/noise down to 10 mV peak-to-peak over a 20 MHz bandwidth from 10% to 100% of rated load of the converter.

Outputs from 5V to 50V are available. RamPACs cannot be paralleled in a driver-booster configuration to provide more power. A number of options such as DC Power Good signal and output voltage Trim potentiometer are available. The RamPAC contains output overcurrent protection, which recovers automatically when the overcurrent condition is removed. **Overvoltage protection and overtemperature limiting are not available.** Newer RamPACs have Autosense.

This feature automatically locally senses the output if remote sense is not used. To check if an output has the Autosense feature, measure the impedance from the + Out to + Sense and - Out to - Sense pins. If the impedance is 5 ohms, then the output has Autosense and does not require local sense jumpers. If a unit does not have Autosense, sense connections must be made. Please also note that newer RamPACs have new outputs studs that are 1/8" longer to allow for multiple lugs. They are fully compatible with the original flanged nut ConverterPACs. For further technical information about ConverterPACs, contact Applications Engineering at 1-800-927-9474.



Options available for RamPAC

OPTIONS

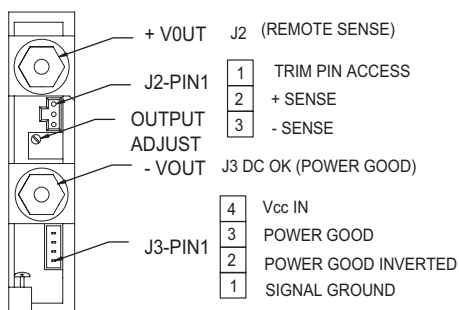
D	Power Good
T	Trim +/-10%
F*	Trim: +10%/-50%

AVAILABILITY

OPTIONAL
OPTIONAL
OPTIONAL

* Note: Not available for 1st Gen 10V, 12V and 15V modules. For more details, contact Factory.

RamPAC Output and Connector Pin Identification



MATING HDWR:

HOUSING- MOLEX P/N: 50-57-9403
 TERMINALS- MOLEX P/N: 16-02-0103
 CRIMP TOOL MOLEX P/N: 11-01-0208

MATING HDWR:

HOUSING- MOLEX P/N: 39-01-0043
 TERMINALS- MOLEX P/N: 30-00-0031
 CRIMP TOOL MOLEX P/N: 57005-5000

Output connector kits (optional) for your MegaPAC supply are available for purchase from Westcor:

	Part Number
Single phase input	19-130040
Three phase input	19-130041

For more details about any Westcor products, contact the factory at 1-800-735-6200 or go to our website at

www.vicorpower.com

