

ConverterPAC Description

ConverterPACs are the family of slide-in output assemblies used in MegaPAC power supplies. There are currently 12 ConverterPACs available for use. Most ConverterPACs of the same length are interchangeable within a MegaPAC and between different AC input MegaPAC chassis. They can be added, moved, or changed as necessary. The type of ConverterPAC used in this slot is a ModuPAC.

ModuPAC (M = Non RoHS; GM = RoHS)

The ModuPAC output assembly consists of a **VI-200 DC to DC converter** that converts the high voltage bus to the desired regulated output voltage. Each ModuPAC can provide up to 200 Watts of power. Multiple ModuPACs can be paralleled in a driver-booster configuration to provide more power. ModuPACs are fused with a PC-Tron, DC-rated, fast-acting fuse. A passive LC filter is used to reduce output ripple/noise down to 1% typical, and 2% maximum peak-to-peak from 10% to 100% of rated load. A number of options such as DC Power Good signal, output voltage Trim potentiometer, and VXI options are available. The ModuPAC contains overvoltage protection (OVP), overcurrent protection (OCP), and overtemperature limiting (OTL). The OCP has automatic recovery when the overcurrent condition is removed. The OVP and OTL are latching functions and require recycling of the AC input power to restart. Newer ModuPACs have Autosense. This feature automatically locally senses the output if remote sense is not used. To check if an output has the Autosense feature, measure the impedance from the + Out to + Sense and - Out to - Sense pins. If the impedance is 5 ohms, then the output has Autosense and does not require local sense jumpers. If a unit does not have Autosense, sense connections must be made. Please also note that newer ModuPACs have new outputs studs that are 1/8" longer to allow for multiple lugs. They are fully compatible with the original flanged nut ConverterPACs for use in parallel arrays. For further technical information about ConverterPACs, contact Applications Engineering at 1-800-927-9474.

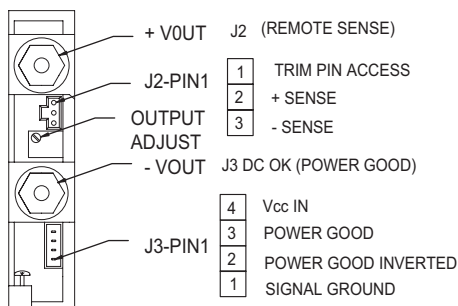


Options available for ModuPAC

OPTIONS		AVAILABILITY
D	Power Good	OPTIONAL
T	Trim +/-10%	OPTIONAL
F*	Trim: +10%/-50%	OPTIONAL
R	External RAM (10mVp-p)	OPTIONAL
V3	VXI Low Noise 1% ; Vout >24V	OPTIONAL
V2	VXI Low Noise 50mV - Vout <= 15V	OPTIONAL
V1	VXI Low Noise 150mV - 15V < Vout <= 24V	OPTIONAL

* Note: Not available for 1st Gen 10V, 12V and 15V modules. For more details, contact Factory.

ModuPAC Output and Connector Pin Identification



MATING HDWR:
 HOUSING- MOLEX P/N: 50-57-9403
 TERMINALS- MOLEX P/N: 16-02-0103
 CRIMP TOOL MOLEX P/N: 11-01-0208

MATING HDWR:
 HOUSING- MOLEX P/N: 39-01-0043
 TERMINALS- MOLEX P/N: 30-00-0031
 CRIMP TOOL MOLEX P/N: 57005-5000

Output connector kits (optional) for your MegaPAC supply are available for purchase from Westcor:

	Part Number
Single phase input	19-130040
Three phase input	19-130041

For more details about any Westcor products, contact the factory at 1-800-735-6200 or go to our website at

www.vicorpower.com

