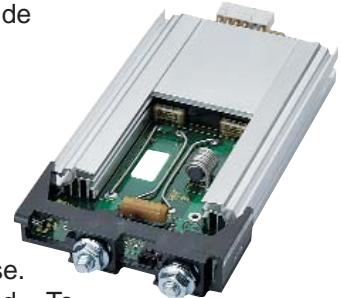


## ConverterPAC Description

ConverterPACs are the family of slide-in output assemblies used in [MegaPAC power supplies](#). There are currently 12 ConverterPACs available for use. Most ConverterPACs of the same length are interchangeable within a MegaPAC and between different AC input MegaPAC chassis. They can be added, moved, or changed as necessary. The type of ConverterPAC used in this slot is a JuniorPAC.

### JuniorPAC (J - Non RoHS; GJ = RoHS)

The JuniorPAC output assembly consists of a [VI-J00 DC to DC converter](#) that converts the high voltage bus to the desired regulated output voltage. JuniorPACs can provide up to 100 Watts of output power (cannot be paralleled) and are fused with a single PC-Tron, DC-rated, fast-acting fuse. A passive LC filter is used to reduce output ripple/noise down to 1% typical, and 2% maximum peak-to-peak from 10% to 100% of rated load. A number of options such as DC Power Good signal, output voltage Trim potentiometer and VXI options are available. The JuniorPAC contains output overcurrent protection, which recovers automatically when the overcurrent condition is removed. **Overvoltage protection and overtemperature limiting are not available.** Newer JuniorPACs have Autosense.



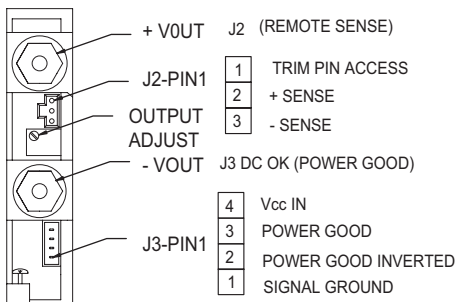
This feature automatically locally senses the output if remote sense is not used. To check if an output has the Autosense feature, measure the impedance from the + Out to + Sense and - Out to - Sense pins. If the impedance is 5 ohms, then the output has Autosense and does not require local sense jumpers. If a unit does not have Autosense, sense connections must be made. Please also note that newer JuniorPACs have new outputs studs that are 1/8" longer to allow for multiple lugs. They are fully compatible with the original flanged nut ConverterPACs. For further technical information about ConverterPACs, contact Applications Engineering at 1-800-927-9474.

## Options available for JuniorPAC

OPTIONS		AVAILABILITY
D	Power Good	OPTIONAL
T	Trim +/-10%	OPTIONAL
F*	Trim: +10%/-50%	OPTIONAL
R	External RAM (10mV p-p)	OPTIONAL
V3	VXI Low Noise 1% ; Vout >24V	OPTIONAL
V2	VXI Low Noise 50mV - Vout <= 15V	OPTIONAL
V1	VXI Low Noise 150mV - 15V < Vout <= 24V	OPTIONAL

\* Note: Not available for 1st Gen 10V, 12V and 15V modules. For more details, contact Factory.

## JuniorPAC Output and Connector Pin Identification



MATING HDWR:  
 HOUSING- MOLEX P/N: 50-57-9403  
 TERMINALS- MOLEX P/N: 16-02-0103  
 CRIMP TOOL MOLEX P/N: 11-01-0208

Output connector kits (optional) for your MegaPAC supply are available for purchase from Westcor:

	Part Number
Single phase input	19-130040
Three phase input	19-130041

MATING HDWR:  
 HOUSING- MOLEX P/N: 39-01-0043  
 TERMINALS- MOLEX P/N: 30-00-0031  
 CRIMP TOOL MOLEX P/N: 57005-5000

For more details about any Westcor products, contact the factory at 1-800-735-6200 or go to our website at

[www.vicorpower.com](http://www.vicorpower.com)

